



6466

Transit and Rail Seating



6466 Transit and Rail Passenger Seating

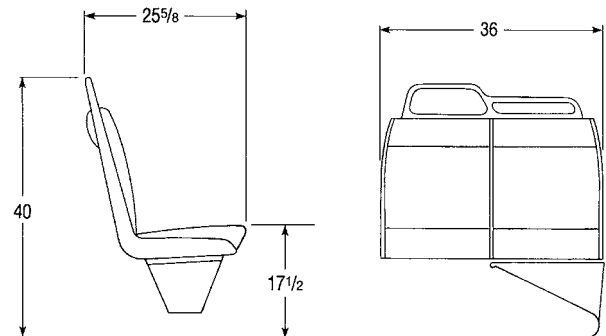
A classic seat that maximizes comfort with thick cushioning and a spring suspension. The 6466 can easily be tailored to suit your specific needs.

Features

- Individually upholstered cushion assemblies are supported by serpentine springs which provides longer cushion life and unsurpassed comfort
- Easy to remove cushions and back upholstery for efficient cleaning or replacement
- High-strength thermoplastic back with recessed areas for knee clearance and comfort
- High-strength, fatigue-resistant steel frame with durable powder-coat finish
- Energy-absorbing, thermoplastic grab rail with textured finish available in many colors

Options

- Variety of vehicle mounts available, including cantilever and T-pedestal
- Vinyl or fabric upholstery available from your specification
- Stainless steel, energy-absorbing grab rail
- Cushioning also available in low-smoke/low-fire foam construction
- 34" width also available
- Integrates with American Seating securement systems for A.D.A. compliance



Our Mission

Since 1886, American Seating has set the standard for product design, durability and comfort. Our first transportation seat was introduced in 1931, and today we remain committed to exceeding the expectations of our customers. Our achievements serve as the platform for new and innovative products that are the benchmarks of our industry.



801 Broadway Ave. NW, Grand Rapids, MI 49504-4499
Phone 616-732-6600 800-748-0268 FAX 616-732-6401
americanseating.com

American Seating is a registered trademarks of American Seating Company
Form No. T-6466-19 ©2019 American Seating Company



All products designed, engineered, manufactured, and tested in the USA.



American Seating is committed to lessening our impact on the planet through responsible stewardship of our environment.